



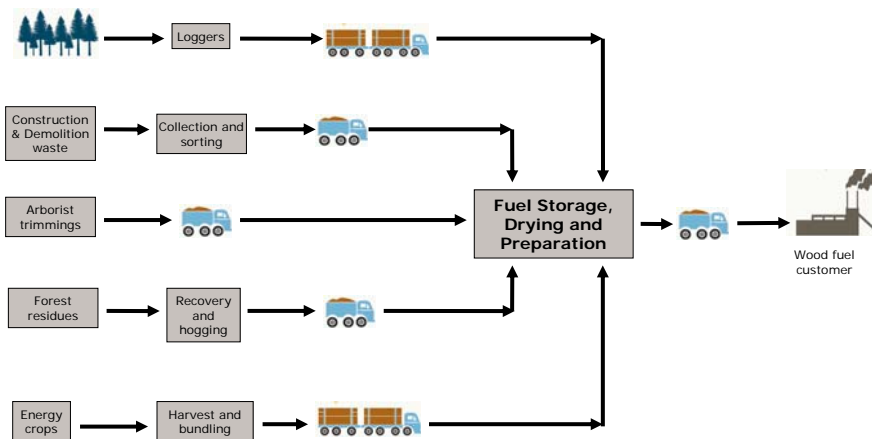
Establishing a wood fuel supply chain in Christchurch

Matthew Spooner
Energy for Industry

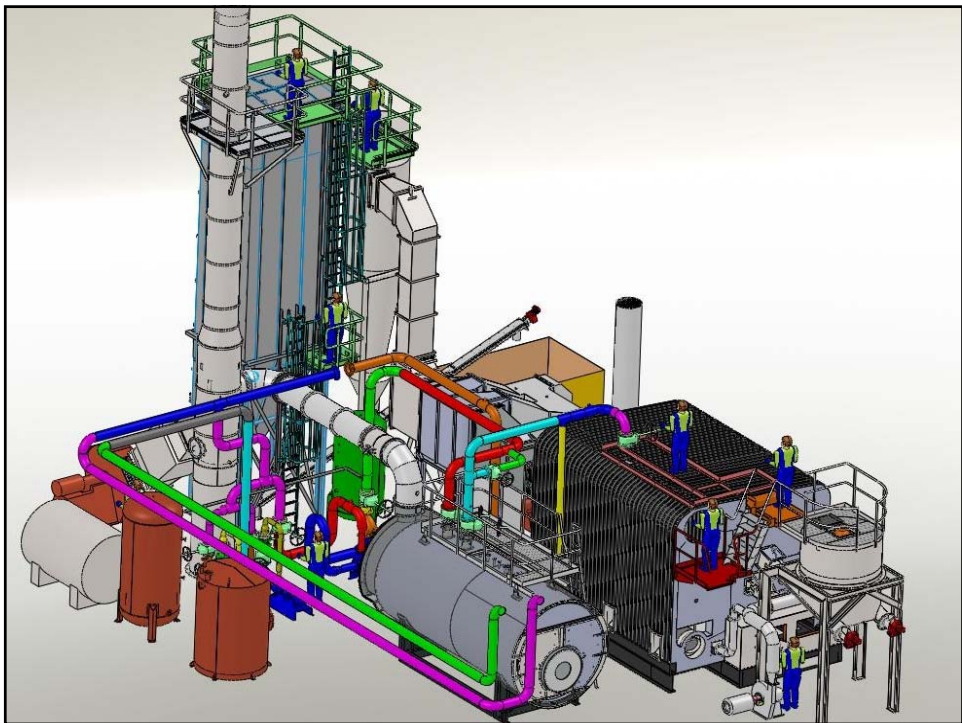
BANZ Seminar
Heating with Wood Chip
May 2010



Wood-energy supply chain



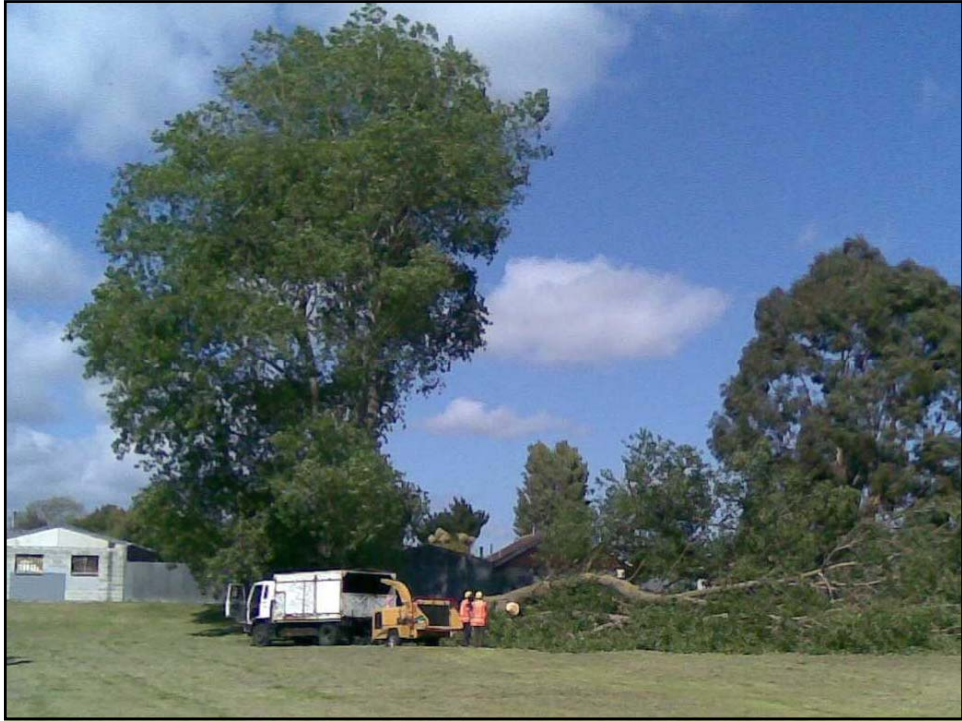














Wood Energy NZ Wood Fuel hubs



Christchurch Wood Fuel Hub
2.5Ha with 1000m³ covered storage
 Natural seasoning, processing and storage of wood fuel chip



Naseby Wood Fuel Hub
8 Ha with 2000m³ covered storage
 Natural seasoning, processing and storage of wood fuel chip and firewood



Tapanui Wood Fuel Hub
5 Ha
 Natural seasoning



MATTHEW SPOONER BE (Hons) (Mech), CPEng
Solutions Development Consultant

33 Customhouse Quay, PO Box 10 840, Wellington 6143, New Zealand
T +64 4 381 1330 D +64 4 381 1343 F +64 4 381 1331 M 021 363 924
E matthews@energyforindustry.co.nz W www.energyforindustry.co.nz

A business of Meridian Energy Limited



David Reid : General Manager
33 Customhouse Quay,
PO Box 10-840, Wellington, New Zealand
P 04 381 1336 F 04 381 1331 M 021 390 489
david.reid@energyforindustry.co.nz

A business of Energy for Industry Ltd